

DESCRIPTION

The Gas QuikSert turbine flow meter provides long service life by offering a durable construction design composed of stainless steel and tungsten carbide shaft and bearings. The unique wafer style design allows for quick installation and easily fits between two flanges. Gas QuikSert is fully compatible with all Blancett flow monitors, K-factor scalars, and intelligent converters. The Gas QuikSert is compatible with most instruments, PLCs and computers.

FEATURES AND BENEFITS

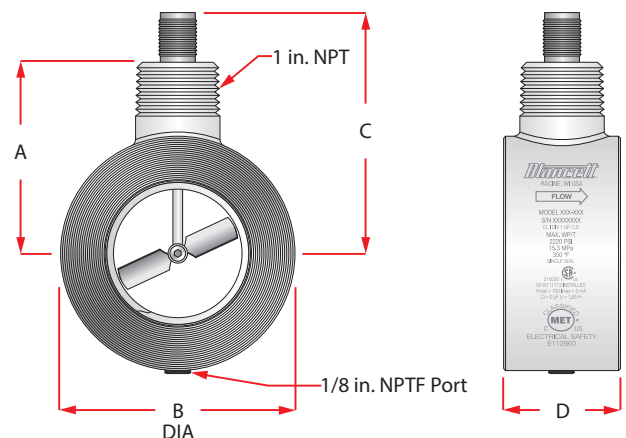
- Consistent, reliable gas flow measurement.
- Wafer mounting configuration for limited space requirements.
- Light weight, balanced rotor provides instantaneous response to changes in flow.
- No mating flange design allows for quick and easy install.
- Superior material of construction for high performance in aggressive environments.

SPECIFICATIONS

Installation	Mounts between two 2 in. ANSI raised face flanges, ideally sized for 2 in. schedule 40 or 80 pipe; horizontal or vertical orientation
Working Pressure	Vacuum to 2220 psig (15.3 MPa) max.
Pressure Loss	3 in. of water column (7.5 mbar) max. (dry air)
Temperature	-40...330° F (-40...165° C)
Linearity	±2% of reading over the specified measuring range (see "Part Number Construction" on page 2)
System Uncertainty	±1% of reading when integrated with a properly configured Blancett flow monitor or signal conditioner
Repeatability	±0.5% of reading
Output Signal	100 mVpp minimum (with Blancett B11113 magnetic pickup installed)
Nominal K-Factor	See "Part Number Construction" on page 2
Materials of Construction	316/316L, 410 and 304 grade stainless steels, tungsten carbide
Certifications	
Intrinsically Safe	Class I Division 1 Groups C, D [Entity Parameters $V_{max} = 10V$, $I_{max} = 3 mA$, $C_i = 0 \mu F$ and $L_i = 1.65 H$ with Blancett B11113 magnetic pickup installed] for US and Canada. Complies with UL 913 and CSA 22.2 No. 157-92
Explosion-Proof	Class I Division 1 Groups C, D. complies with UL1203 and CSA C22.2 No. 30-M1986
Single Seal	Complies with ANSI/ISA 12.27.01-2003



DIMENSIONS



A	B	C	D
2.95 in. (74.90 mm)	3.61 in. (92.00 mm)	3.12 in. (79.20 mm)	1.80 in. (45.70 mm)

Архангельск (8182)63-90-72
 Астана +7(7172)727-132
 Астрахань (8512)99-46-04
 Барнаул (3852)73-04-60
 Белгород (4722)40-23-64
 Брянск (4832)59-03-52
 Владивосток (423)249-28-31
 Волгоград (844)278-03-48
 Вологда (8172)26-41-59
 Воронеж (473)204-51-73
 Екатеринбург (343)384-55-89
 Иваново (4932)77-34-06
 Ижевск (3412)26-03-58
 Иркутск (395) 279-98-46

Казань (843)206-01-48
 Калининград (4012)72-03-81
 Калуга (4842)92-23-67
 Кемерово (3842)65-04-62
 Киров (8332)68-02-04
 Краснодар (861)203-40-90
 Красноярск (391)204-63-61
 Курск (4712)77-13-04
 Липецк (4742)52-20-81
 Магнитогорск (3519)55-03-13
 Москва (495)268-04-70
 Мурманск (8152)59-64-93
 Набережные Челны (8552)20-53-41
 Нижний Новгород (831)429-08-12

Новокузнецк (3843)20-46-81
 Новосибирск (383)227-86-73
 Омск (3812)21-46-40
 Орел (4862)44-53-42
 Оренбург (3532)37-68-04
 Пенза (8412)22-31-16
 Пермь (342)205-81-47
 Ростов-на-Дону (863)308-18-15
 Рязань (4912)46-61-64
 Самара (846)206-03-16
 Санкт-Петербург (812)309-46-40
 Саратов (845)249-38-78
 Севастополь (8692)22-31-93
 Симферополь (3652)67-13-56

Смоленск (4812)29-41-54
 Сочи (862)225-72-31
 Ставрополь (8652)20-65-13
 Сургут (3462)77-98-35
 Тверь (4822)63-31-35
 Томск (3822)98-41-53
 Тула (4872)74-02-29
 Тюмень (3452)66-21-18
 Ульяновск (8422)24-23-59
 Уфа (347)229-48-12
 Хабаровск (4212)92-98-04
 Челябинск (351)202-03-61
 Череповец (8202)49-02-64
 Ярославль (4852)69-52-93

PART NUMBER CONSTRUCTION

Flow Meter*	Flow Rate		K-Factor Pulses/ft ³ (Pulses/m ³)	Repair Kit***	Hardware Kit
	ACFM**	MCFD			
B142-20L	7...70	10...100	365 (12,900)	B142-20L-KIT	B142-20-150KIT
B142-20M	14...210	20...300	190 (6710)	B142-20M-KIT	
B142-20H	35...350	50...500	85 (3000)	B142-20H-KIT	

*Does not include magnetic pickup. Order Blancett B111113 Low Drag Pickup

**At 0 psig (0 bar) and 60° F (15.6° C)

***Compatible with Cameron/NuFlo 2 in. wafer gas meter

По вопросам продаж и поддержки обращайтесь:

Архангельск (8182)63-90-72	Казань (843)206-01-48	Новокузнецк (3843)20-46-81	Смоленск (4812)29-41-54
Астана +7(7172)727-132	Калининград (4012)72-03-81	Новосибирск (383)227-86-73	Сочи (862)225-72-31
Астрахань (8512)99-46-04	Калуга (4842)92-23-67	Омск (3812)21-46-40	Ставрополь (8652)20-65-13
Барнаул (3852)73-04-60	Кемерово (3842)65-04-62	Орел (4862)44-53-42	Сургут (3462)77-98-35
Белгород (4722)40-23-64	Киров (8332)68-02-04	Оренбург (3532)37-68-04	Тверь (4822)63-31-35
Брянск (4832)59-03-52	Краснодар (861)203-40-90	Пенза (8412)22-31-16	Томск (3822)98-41-53
Владивосток (423)249-28-31	Красноярск (391)204-63-61	Пермь (342)205-81-47	Тула (4872)74-02-29
Волгоград (844)278-03-48	Курск (4712)77-13-04	Ростов-на-Дону (863)308-18-15	Тюмень (3452)66-21-18
Вологда (8172)26-41-59	Липецк (4742)52-20-81	Рязань (4912)46-61-64	Ульяновск (8422)24-23-59
Воронеж (473)204-51-73	Магнитогорск (3519)55-03-13	Самара (846)206-03-16	Уфа (347)229-48-12
Екатеринбург (343)384-55-89	Москва (495)268-04-70	Санкт-Петербург (812)309-46-40	Хабаровск (4212)92-98-04
Иваново (4932)77-34-06	Мурманск (8152)59-64-93	Саратов (845)249-38-78	Челябинск (351)202-03-61
Ижевск (3412)26-03-58	Набережные Челны (8552)20-53-41	Севастополь (8692)22-31-93	Череповец (8202)49-02-64
Иркутск (395) 279-98-46	Нижний Новгород (831)429-08-12	Симферополь (3652)67-13-56	Ярославль (4852)69-52-93

Киргизия (996)312-96-26-47

Казахстан (772)734-952-31

Таджикистан (992)427-82-92-69

Эл. почта bdg@nt-rt.ru || Сайт: <http://badger.nt-rt.ru>