



Badger Meter Europa

Series 250

Metallic tee flow sensors



Features

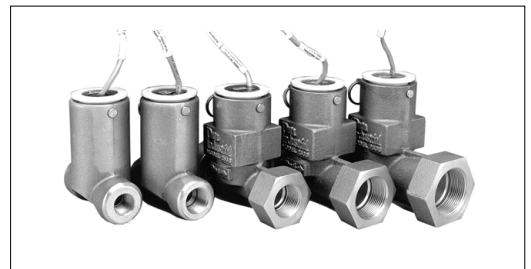
- Sensor electronics easily removed from tee.
- Impeller/bearing/shaft easily replaced in field without changing calibration.
- Two wire sensor. Power and signal transmit on single pair of wires up to the distance of 600 m.
- Digital signal easily interfaced with transmitters, monitors or PLCs.
- Installation can also be done directly in the ground (IR model)

Description

The series 250 flow sensor features a six bladed impeller design with a proprietary non-magnetic sensing mechanism. The unique impeller is less prone to be fouled by water borne debris. The forward curved shape coupled with the absence of magnetic drag provides improved operation and repeatability even at lower flow rates. This is especially true where the impeller is exposed to metallic or rust particles found in steel or iron pipes. As the liquid flow turns the impeller, a low impedance square wave signal is transmitted with a frequency proportional to the flow rate. The signal can travel up to 600 m between the flow sensor and the receiving unit without the need for amplification. All sensors except irrigation versions are supplied with 20' of 2-conductor 6 m AWG shielded U.L. type PTLC 105°C cable and meet CE standards for noise immunity and susceptibility.

Applications

- Energy management/building management systems
- Btu submetering systems
- Cooling tower treatment systems
- Condensate return lines



По вопросам продаж и поддержки обращайтесь:

Архангельск (8182)63-90-72
Астана +7(7172)727-132
Астрахань (8512)99-46-04
Барнаул (3852)73-04-60
Белгород (4722)40-23-64
Брянск (4832)59-03-52
Владивосток (423)249-28-31
Волгоград (844)278-03-48
Вологда (8172)26-41-59
Воронеж (473)204-51-73
Екатеринбург (343)384-55-89
Иваново (4932)77-34-06
Ижевск (3412)26-03-58
Иркутск (395) 279-98-46

Казань (843)206-01-48
Калининград (4012)72-03-81
Калуга (4842)92-23-67
Кемерово (3842)65-04-62
Киров (8332)68-02-04
Краснодар (861)203-40-90
Красноярск (391)204-63-61
Курск (4712)77-13-04
Липецк (4742)52-20-81
Магнитогорск (3519)55-03-13
Москва (495)268-04-70
Мурманск (8152)59-64-93
Набережные Челны (8552)20-53-41
Нижний Новгород (831)429-08-12

Новокузнецк (3843)20-46-81
Новосибирск (383)227-86-73
Омск (3812)21-46-40
Орел (4862)44-53-42
Оренбург (3532)37-68-04
Пенза (8412)22-31-16
Пермь (342)205-81-47
Ростов-на-Дону (863)308-18-15
Рязань (4912)46-61-64
Самара (846)206-03-16
Санкт-Петербург (812)309-46-40
Саратов (845)249-38-78
Севастополь (8692)22-31-93
Симферополь (3652)67-13-56

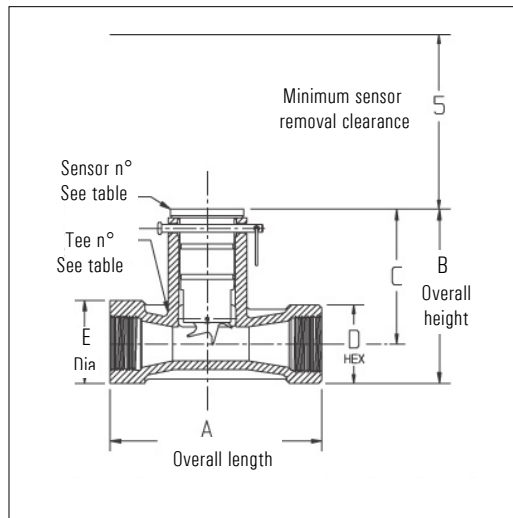
Смоленск (4812)29-41-54
Сочи (862)225-72-31
Ставрополь (8652)20-65-13
Сургут (3462)77-98-35
Тверь (4822)63-31-35
Томск (3822)98-41-53
Тула (4872)74-02-29
Тюмень (3452)66-21-18
Ульяновск (8422)24-23-59
Уфа (347)229-48-12
Хабаровск (4212)92-98-04
Челябинск (351)202-03-61
Череповец (8202)49-02-64
Ярославль (4852)69-52-93

Киргизия (996)312-96-26-47

Казахстан (772)734-952-31

Таджикистан (992)427-82-92-69

Эл. почта bdg@nt-rt.ru || Сайт: <http://badger.nt-rt.ru>



Complete series n°	Sensor n°	Tee n°	NPT	A	B	C	D	E
250B-0.5	See matrix	713168T	1/2-14	4.00	4.67	3.61	N/A	1.63
250B-0.75	See matrix	713169T	3/4-14	4.00	4.67	3.61	N/A	1.63
250B-1.0	See matrix	71940T	1.00-11.5	5.45	4.75	3.75	2.00	2.12
250B-1.25	See matrix	71941T	1.25-11.5	6.06	5.00	3.88	2.25	2.38
250B-1.5	See matrix	711193T	1.50-11.5	6.50	5.19	3.94	2.50	2.62

Technical data

Wetted materials	See ordering matrix
Tee for 250B	Cast valve bronze, UNS C83600
Maximum temperature	Standard electronics 105°C (221°F) Irrigation electronics 66°C (150°F)
Maximum pressure	At 24°C
	250BR 27 bar
Maximum pressure	At 135°C
	22 bar
Recommended design flow range	0,09 to 4,5 m/s
Accuracy	± 1.0% of rate
Repeatability	± 0.7% over recommended design flow range
Linearity	± 0.7% over recommended design flow range
Rangeability	60:1
Transducer excitation	Quiescent current 600 µA @ 8 VDC to 35 VDC max. Quiescent voltage (Vhigh) supply voltage -(600 µA*supply impedance) ON state (Vlow) max. 1.2 VDC @ 40 mA current limit (150 Ω+ 0.7 VDC)
Electrical cable for standard sensor electronics	6 m of 2-conductor 20 AWG shielded U.L. type PTLC wire provided for connection to display or analog transmitter unit. Rated to 105°C. May be extended to a maximum of 600 m with similar cable and insulation appropriate for application.
Electrical cable for IR sensor electronics	1,2 m of U.L. style 116666 copper solid AWG 18 wire with direct burial insulation. Rated to 105°C.



250 series metal tee sensors ordering matrix (1/2" to 1 1/2")

Example: 2	50	BR	15	0	5	--	0	2	1	1
Style	Cast bronze tee (1/2" to 1.5" only)	50								
Material	Brass/bronze		BR							
Size	0.5"			05						
	0.75"			07						
	1"			10						
	1.25"			12						
	1.5"			15						
Electronics housing	PPS				0					
Electronics	Magnetic					2				
	FM/CSA approved					4				
	Standard					5				
	IR-irrigation					6				
O-ring	Viton®						0			
	EPDM						1			
	Buna N						8			
Shaft	Zirconia ceramic							0		
	Hastelloy C							1		
	Tungsten carbide							2		
	Titanium							3		
	Monel							5		
	316 stainless steel							6		
	Tantalum							7		
Impeller	Nylon								1	
	Tetzel®								2	
Bearing	Pennlon									1
	Tetzel®									2
	Teflon®									3

По вопросам продаж и поддержки обращайтесь:

Архангельск (8182)63-90-72
 Астана +7(7172)727-132
 Астрахань (8512)99-46-04
 Барнаул (3852)73-04-60
 Белгород (4722)40-23-64
 Брянск (4832)59-03-52
 Владивосток (423)249-28-31
 Волгоград (844)278-03-48
 Вологда (8172)26-41-59
 Воронеж (473)204-51-73
 Екатеринбург (343)384-55-89
 Иваново (4932)77-34-06
 Ижевск (3412)26-03-58
 Иркутск (395) 279-98-46

Казань (843)206-01-48
 Калининград (4012)72-03-81
 Калуга (4842)92-23-67
 Кемерово (3842)65-04-62
 Киров (8332)68-02-04
 Краснодар (861)203-40-90
 Красноярск (391)204-63-61
 Курск (4712)77-13-04
 Липецк (4742)52-20-81
 Магнитогорск (3519)55-03-13
 Москва (495)268-04-70
 Мурманск (8152)59-64-93
 Набережные Челны (8552)20-53-41
 Нижний Новгород (831)429-08-12

Новокузнецк (3843)20-46-81
 Новосибирск (383)227-86-73
 Омск (3812)21-46-40
 Орел (4862)44-53-42
 Оренбург (3532)37-68-04
 Пенза (8412)22-31-16
 Пермь (342)205-81-47
 Ростов-на-Дону (863)308-18-15
 Рязань (4912)46-61-64
 Самара (846)206-03-16
 Санкт-Петербург (812)309-46-40
 Саратов (845)249-38-78
 Севастополь (8692)22-31-93
 Симферополь (3652)67-13-56

Смоленск (4812)29-41-54
 Сочи (862)225-72-31
 Ставрополь (8652)20-65-13
 Сургут (3462)77-98-35
 Тверь (4822)63-31-35
 Томск (3822)98-41-53
 Тула (4872)74-02-29
 Тюмень (3452)66-21-18
 Ульяновск (8422)24-23-59
 Уфа (347)229-48-12
 Хабаровск (4212)92-98-04
 Челябинск (351)202-03-61
 Череповец (8202)49-02-64
 Ярославль (4852)69-52-93

Киргизия (996)312-96-26-47

Казахстан (772)734-952-31

Таджикистан (992)427-82-92-69

Эл. почта bdg@nt-rt.ru || Сайт: <http://badger.nt-rt.ru>