



## LM OG-HFT

### Pulse transmitter / Line meter "High Flow" for non-custody transfers



#### Features

- 1" and 3/4" threads BSP
- Compact foot print
- Oval gear driven meter
- Does not require external power
- Rugged, corrosion resistant plastic enclosure
- Humidity and moisture resistant transmitter
- Hermetically sealed reed switch output
- Compatible with most flow controllers and counters with scaling capabilities
- Accuracy to  $\pm 0.5\%$

#### Description

The model LM OGT-HF High Flow meter is designed to handle flow rates up to 115 l/m. The meter is designed specifically to dispense motor oils (S.A.E. 5-50), gear oils (S.A.E. 80-240), automatic transmission fluid, antifreeze (Ethylene Glycol), and engine coolant. Modular design, compact foot print, and rugged design make the LM OGT-HF the best choice for automated dispensing systems. The transmitter mounted on the meter can be wired to batch controllers, remote counters and other electronically operated instruments that can accept pulses from a reed switch, and have scaling capabilities. The oval gear transmitter is contained in a plastic housing.

#### Operation

As fluid passes through the metering chamber by entering the inlet port, the internal gears rotate forcing the fluid to exit through the outlet port. Each rotation of the gear displaces a given volume of fluid. Controlled clearances between the gears and chamber wall insure minimum leakage. As the gears rotate, a magnet on each end of the gear causes the reed switch to open and close. Contact closures from the switch are transmitted to a remote batch controller or counter.

#### Applications

This transmitter is normally connected to metering systems that have scaling capabilities and that can accept a reed switch pulse. Typical applications are automated motor oil batching systems, antifreeze dispensing systems and other applications that require totalizing meter flow and monitoring rate of fluid flow passing through the meter.

#### CAUTION

The use of meters in applications other than those described in this material may result in inaccuracy and possible meter failure. This meter is designed for petroleum-based products. It is also important that fluids be properly filtered before entering the meter. Foreign particles will cause inaccuracy as well as possible malfunction of the meter. Warranties are void in the circumstances described above.

#### По вопросам продаж и поддержки обращайтесь:

Архангельск (8182)63-90-72  
Астана +7(7172)727-132  
Астрахань (8512)99-46-04  
Барнаул (3852)73-04-60  
Белгород (4722)40-23-64  
Брянск (4832)59-03-52  
Владивосток (423)249-28-31  
Волгоград (844)278-03-48  
Вологда (8172)26-41-59  
Воронеж (473)204-51-73  
Екатеринбург (343)384-55-89  
Иваново (4932)77-34-06  
Ижевск (3412)26-03-58  
Иркутск (395) 279-98-46

Казань (843)206-01-48  
Калининград (4012)72-03-81  
Калуга (4842)92-23-67  
Кемерово (3842)65-04-62  
Киров (8332)68-02-04  
Краснодар (861)203-40-90  
Красноярск (391)204-63-61  
Курск (4712)77-13-04  
Липецк (4742)52-20-81  
Магнитогорск (3519)55-03-13  
Москва (495)268-04-70  
Мурманск (8152)59-64-93  
Набережные Челны (8552)20-53-41  
Нижний Новгород (831)429-08-12

Новокузнецк (3843)20-46-81  
Новосибирск (383)227-86-73  
Омск (3812)21-46-40  
Орел (4862)44-53-42  
Оренбург (3532)37-68-04  
Пенза (8412)22-31-16  
Пермь (342)205-81-47  
Ростов-на-Дону (863)308-18-15  
Рязань (4912)46-61-64  
Самара (846)206-03-16  
Санкт-Петербург (812)309-46-40  
Саратов (845)249-38-78  
Севастополь (8692)22-31-93  
Симферополь (3652)67-13-56

Смоленск (4812)29-41-54  
Сочи (862)225-72-31  
Ставрополь (8652)20-65-13  
Сургут (3462)77-98-35  
Тверь (4822)63-31-35  
Томск (3822)98-41-53  
Тула (4872)74-02-29  
Тюмень (3452)66-21-18  
Ульяновск (8422)24-23-59  
Уфа (347)229-48-12  
Хабаровск (4212)92-98-04  
Челябинск (351)202-03-61  
Череповец (8202)49-02-64  
Ярославль (4852)69-52-93

Киргизия (996)312-96-26-47

Казахстан (772)734-952-31

Таджикистан (992)427-82-92-69

Эл. почта [bdg@nt-rt.ru](mailto:bdg@nt-rt.ru) || Сайт: <http://badger.nt-rt.ru>

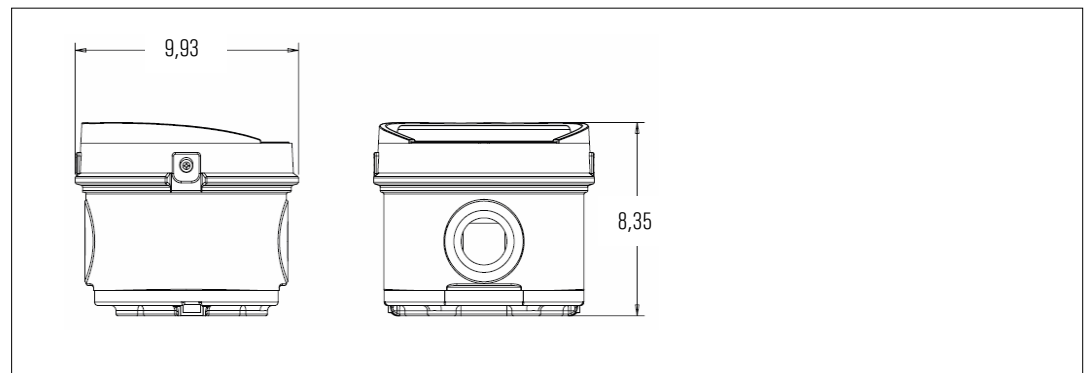


## Technical data

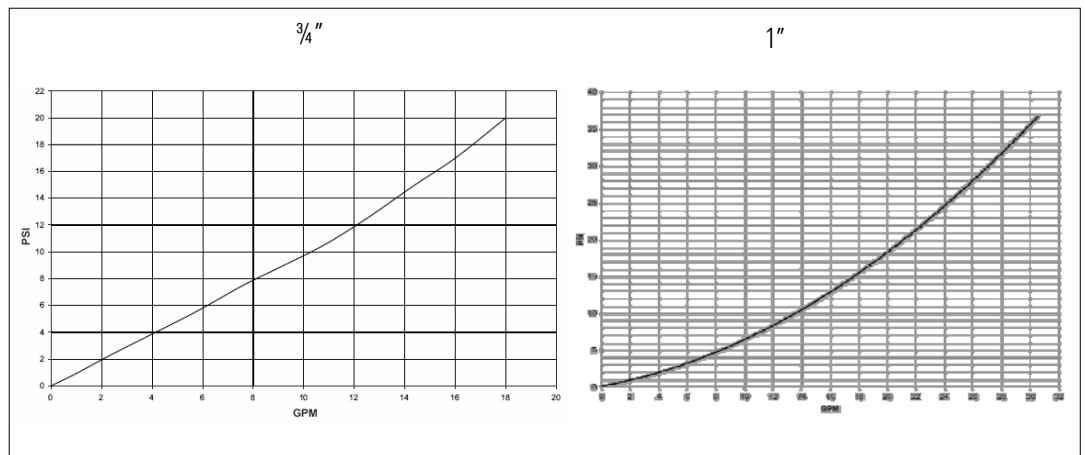
	3/4"	1"
Maximum flow *	60 l/min	115 l/min
Minimum flow *	3 l/min	3 l/min
Operating pressure (maximum)	100 bar	100 bar
Operating pressure (minimum)	0,35 bar	0,35 bar
Operating temperature (maximum)	+60 °C	+60 °C
Operating temperature (minimum)	-20 °C	-30 °C
Accuracy	+/- 0.5%	+/- 0.5%
Weight	0.82 kg	0.82 kg
Inlet & outlet connections	3/4" BSPP	1" BSPP
Pulses per liter	66,75	66,75
Protection class	IP 42	IP 42

\* Tested with Mobil DTE-25 motor oil at ambient temperature. Min./Max. flow rates will vary with viscosity.

## Dimensions (cm)



## Pressure drop



По вопросам продаж и поддержки обращайтесь:

Архангельск (8182)63-90-72  
Астана +7(7172)727-132  
Астрахань (8512)99-46-04  
Барнаул (3852)73-04-60  
Белгород (4722)40-23-64  
Брянск (4832)59-03-52  
Владивосток (423)249-28-31  
Волгоград (844)278-03-48  
Вологда (8172)26-41-59  
Воронеж (473)204-51-73  
Екатеринбург (343)384-55-89  
Иваново (4932)77-34-06  
Ижевск (3412)26-03-58  
Иркутск (395) 279-98-46

Казань (843)206-01-48  
Калининград (4012)72-03-81  
Калуга (4842)92-23-67  
Кемерово (3842)65-04-62  
Киров (8332)68-02-04  
Краснодар (861)203-40-90  
Красноярск (391)204-63-61  
Курск (4712)77-13-04  
Липецк (4742)52-20-81  
Магнитогорск (3519)55-03-13  
Москва (495)268-04-70  
Мурманск (8152)59-64-93  
Набережные Челны (8552)20-53-41  
Нижний Новгород (831)429-08-12

Новокузнецк (3843)20-46-81  
Новосибирск (383)227-86-73  
Омск (3812)21-46-40  
Орел (4862)44-53-42  
Оренбург (3532)37-68-04  
Пенза (8412)22-31-16  
Пермь (342)205-81-47  
Ростов-на-Дону (863)308-18-15  
Рязань (4912)46-61-64  
Самара (846)206-03-16  
Санкт-Петербург (812)309-46-40  
Саратов (845)249-38-78  
Севастополь (8692)22-31-93  
Симферополь (3652)67-13-56

Смоленск (4812)29-41-54  
Сочи (862)225-72-31  
Ставрополь (8652)20-65-13  
Сургут (3462)77-98-35  
Тверь (4822)63-31-35  
Томск (3822)98-41-53  
Тула (4872)74-02-29  
Тюмень (3452)66-21-18  
Ульяновск (8422)24-23-59  
Уфа (347)229-48-12  
Хабаровск (4212)92-98-04  
Челябинск (351)202-03-61  
Череповец (8202)49-02-64  
Ярославль (4852)69-52-93

Киргизия (996)312-96-26-47

Казахстан (772)734-952-31

Таджикистан (992)427-82-92-69

Эл. почта [bdg@nt-rt.ru](mailto:bdg@nt-rt.ru) || Сайт: <http://badger.nt-rt.ru>