



Badger Meter Europa

LM OGT-100 / LM OG-T200

Non-approved – Line meter with electronic pulse transmitter



Features

- Complies with EMC- and machine directives 89/336/EC; 89/392/EC

Description

Type LM OG-T100 is an in-line meter with pulse output. Registers are available with either one channel pulse output (100ppl) or two channels pulse output (100 ppl per channel, 90° offset).

Output signal 100 ppl or two channels output, 90° offset.

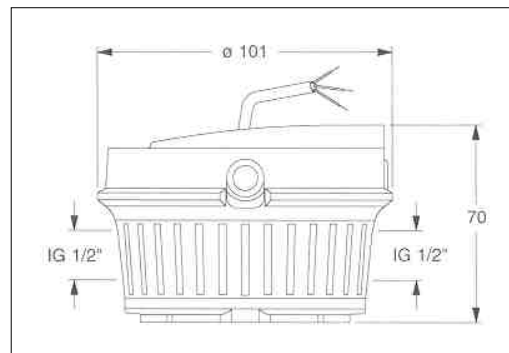
Technical data

Measuring unit	
Oval gear meter, magnetic coupling, powder coated aluminium housing	
Flow	1 – 35 l/min
Operating pressure	100 bar max.
Pressure drop	0,35 bar/DTE 25
Operating temperature	-20 °C to +50 °C
Accuracy	± 0,5%
Total weight	0,7 kg
Pulse transmitter	
Reed switch 5x108 switch closures, depending on load.	
Switch load	10 W, 120 VAC
Pulses	100 p/l, one channel

Applications

Ideal for applications in non-approved management systems and for electronic registers.

Dimensions (mm)



CAUTION

The use of meters in applications other than those described in this material may result in inaccuracy and possible meter failure. This meter is designed for petroleum-based products. It is also important that fluids be properly filtered before entering the meter. Foreign particles will cause inaccuracy as well as possible malfunction of the meter. Warranties are void in the circumstances described above.

По вопросам продаж и поддержки обращайтесь:

Архангельск (8182)63-90-72
Астана +7(7172)727-132
Астрахань (8512)99-46-04
Барнаул (3852)73-04-60
Белгород (4722)40-23-64
Брянск (4832)59-03-52
Владивосток (423)249-28-31
Волгоград (844)278-03-48
Вологда (8172)26-41-59
Воронеж (473)204-51-73
Екатеринбург (343)384-55-89
Иваново (4932)77-34-06
Ижевск (3412)26-03-58
Иркутск (395) 279-98-46

Казань (843)206-01-48
Калининград (4012)72-03-81
Калуга (4842)92-23-67
Кемерово (3842)65-04-62
Киров (8332)68-02-04
Краснодар (861)203-40-90
Красноярск (391)204-63-61
Курск (4712)77-13-04
Липецк (4742)52-20-81
Магнитогорск (3519)55-03-13
Москва (495)268-04-70
Мурманск (8152)59-64-93
Набережные Челны (8552)20-53-41
Нижний Новгород (831)429-08-12

Новокузнецк (3843)20-46-81
Новосибирск (383)227-86-73
Омск (3812)21-46-40
Орел (4862)44-53-42
Оренбург (3532)37-68-04
Пенза (8412)22-31-16
Пермь (342)205-81-47
Ростов-на-Дону (863)308-18-15
Рязань (4912)46-61-64
Самара (846)206-03-16
Санкт-Петербург (812)309-46-40
Саратов (845)249-38-78
Севастополь (8692)22-31-93
Симферополь (3652)67-13-56

Смоленск (4812)29-41-54
Сочи (862)225-72-31
Ставрополь (8652)20-65-13
Сургут (3462)77-98-35
Тверь (4822)63-31-35
Томск (3822)98-41-53
Тула (4872)74-02-29
Тюмень (3452)66-21-18
Ульяновск (8422)24-23-59
Уфа (347)229-48-12
Хабаровск (4212)92-98-04
Челябинск (351)202-03-61
Череповец (8202)49-02-64
Ярославль (4852)69-52-93

Киргизия (996)312-96-26-47

Казахстан (772)734-952-31

Таджикистан (992)427-82-92-69

Эл. почта bdg@nt-rt.ru || Сайт: <http://badger.nt-rt.ru>